

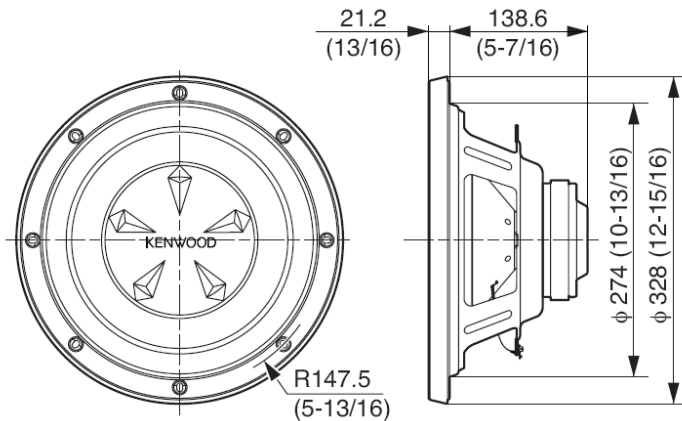
# KFC-W112S / KFC-W1012

# KFC-W110S / KFC-W1010

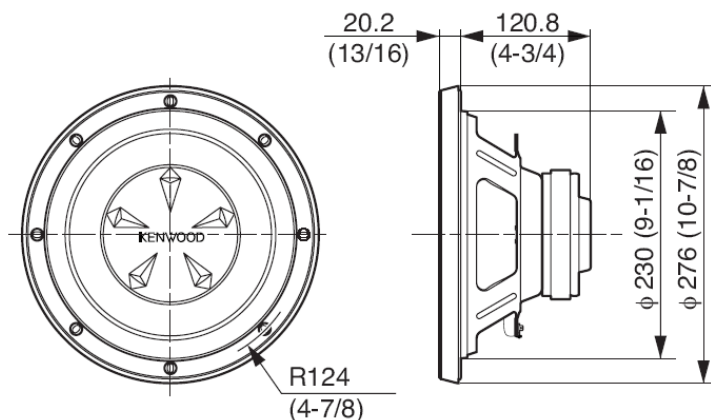
## Specifications

	■ KFC-W112S/W1012	■ KFC-W110S/W1010
<b>Subwoofer</b>	300 mm (12") PP Cone Type	250 mm (10") PP Cone Type
<b>Nominal Impedance</b>	4 Ω	4 Ω
<b>Peak Input Power</b>	800 W	700 W
<b>Rated Input Power</b>	200 W	175 W
<b>Sensitivity</b>	90 dB/W at 1 m	90 dB/W at 1 m
<b>Free Air Resonance</b>	28 Hz	34 Hz
<b>Frequency Response</b>	25-800 Hz	30-1,000 Hz
<b>Net Weight</b>	3,270 g	3,010 g

### KFC-W112S/W1012



### KFC-W110S/W1010



Unit:mm(inch)

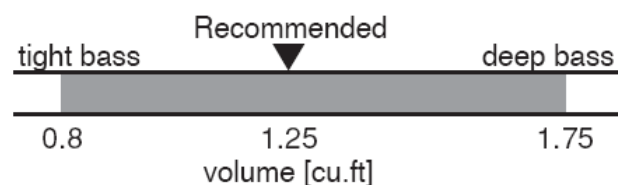
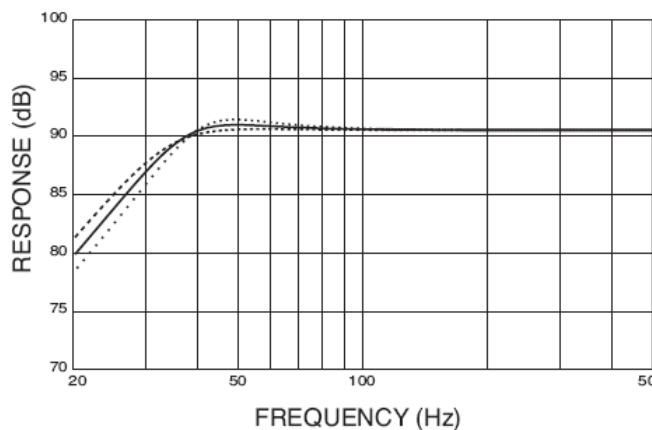
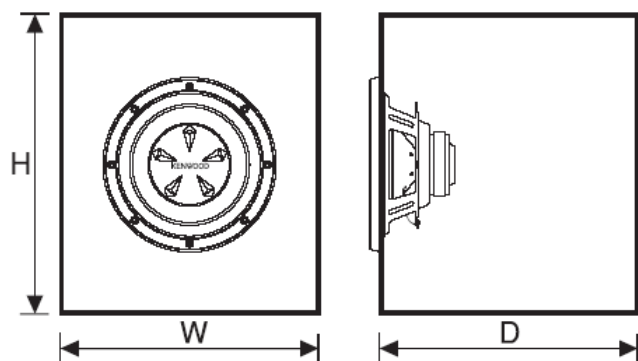
	SYMBOL	UNIT	KFC-W112S KFC-W1012
<b>Nominal Impedance</b>	Z	$\Omega$	4
<b>DC Resistance</b>	Revc	$\Omega$	3.7
<b>Voice Coil Inductance</b>	Levc	mH	2.0
<b>Piston Area</b>	Sd	sq.m	0.048
<b>Force Factor</b>	BL	T·m	12.8
<b>Volume Acoustic Compliance</b>	Vas	liter	95.4
		cu.ft	3.37
<b>Moving Mass</b>	Mms	g	109.9
<b>Resonance Frequency</b>	Fs	Hz	28
<b>Mechanical Q Factor</b>	Qms		9.49
<b>Electrical Q Factor</b>	Qes		0.48
<b>Total Q Factor</b>	Qts		0.457
<b>Peak Power</b>		W	800
<b>Peak Excursion</b>	Xmax	mm	4
<b>Displacement</b>		cc	3511
		cu.ft	0.124
<b>Mounting Depth</b>		mm (in.)	138.6(5-7/16)
<b>Weight of Magnet</b>		g (oz)	748(26.3)
<b>Voice Coil Diameter</b>		mm (in.)	50(1-15/16)

	SYMBOL	UNIT	KFC-W110S KFC-W1010
<b>Nominal Impedance</b>	Z	$\Omega$	4
<b>DC Resistance</b>	Revc	$\Omega$	3.7
<b>Voice Coil Inductance</b>	Levc	mH	2.0
<b>Piston Area</b>	Sd	sq.m	0.035
<b>Force Factor</b>	BL	T·m	13.4
<b>Volume Acoustic Compliance</b>	Vas	liter	36.6
		cu.ft	1.29
<b>Moving Mass</b>	Mms	g	109.7
<b>Resonance Frequency</b>	Fs	Hz	34
<b>Mechanical Q Factor</b>	Qms		9.36
<b>Electrical Q Factor</b>	Qes		0.517
<b>Total Q Factor</b>	Qts		0.49
<b>Peak Power</b>		W	700
<b>Peak Excursion</b>	Xmax	mm	4
<b>Displacement</b>		cc	2294
		cu.ft	0.081
<b>Mounting Depth</b>		mm (in.)	120.8(4-3/4)
<b>Weight of Magnet</b>		g (oz)	748(26.3)
<b>Voice Coil Diameter</b>		mm (in.)	50(1-15/16)

# KFC-W112S / W1012

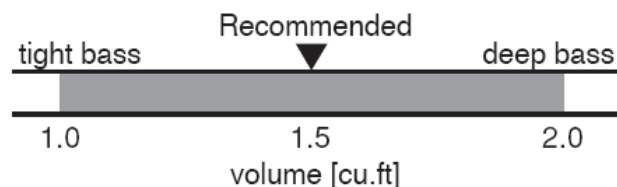
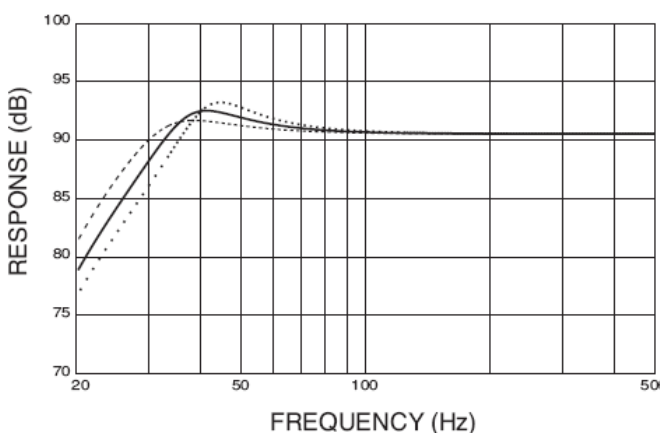
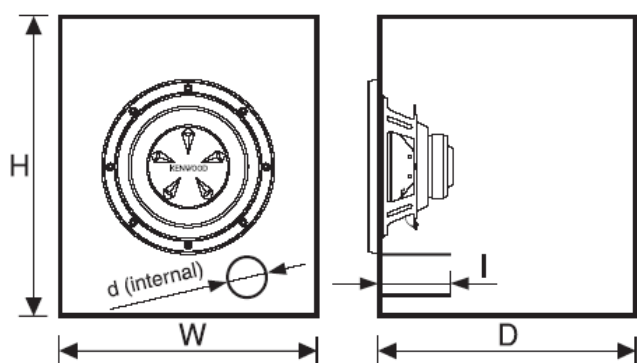
## Recommended Enclosures

### SEALLED



--- 1.75 [cu.ft]  
 — 1.25 [cu.ft]  
 ..... 0.8 [cu.ft]

### PORTED



--- 2 [cu.ft] :Port(d×l)3.5"×7"  
 — 1.5 [cu.ft] :Port(d×l)3"×7"  
 ..... 1 [cu.ft] :Port(d×l)2.5"×7.5"

## Recommended Enclosures

\*W, H, D.....External Dimensions

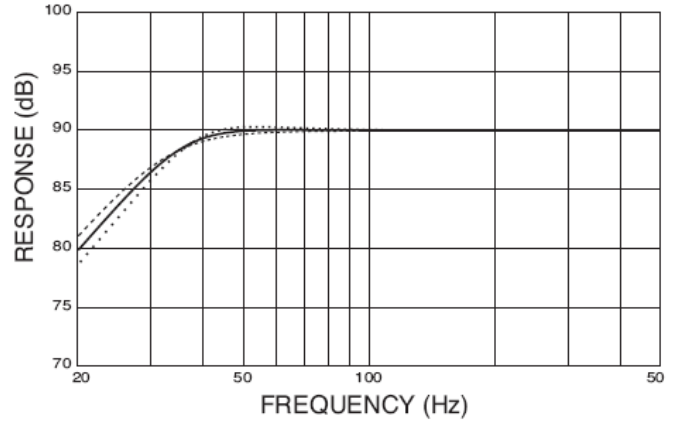
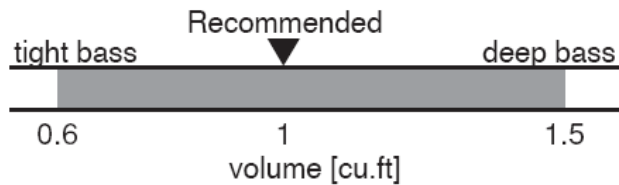
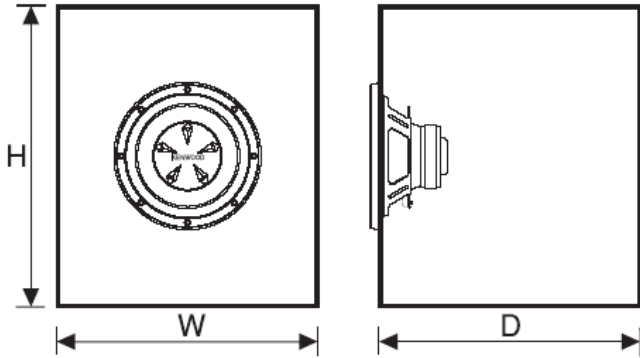
Model Name	Volume	W	H	D	Mounting Hole	Port Diameter d	Port Length l	Displacement
KFC-W112S KFC-W1012	1.25 (35.4)	380 (14-15/16)	375 (14-3/4)	360 (14-3/16)	277 (10-7/8)	Sealed	Sealed	0.124
	1.5 (42.5)	380 (14-15/16)	440 (17-5/16)	360 (14-3/16)		76 (3)	178 (7)	
(unit)	cu.ft (liter)	mm (in.)						cu.ft

Use 21 mm (3/4 inch) thick Medium Density Fiberboard (MDF) or High Density Particleboard.

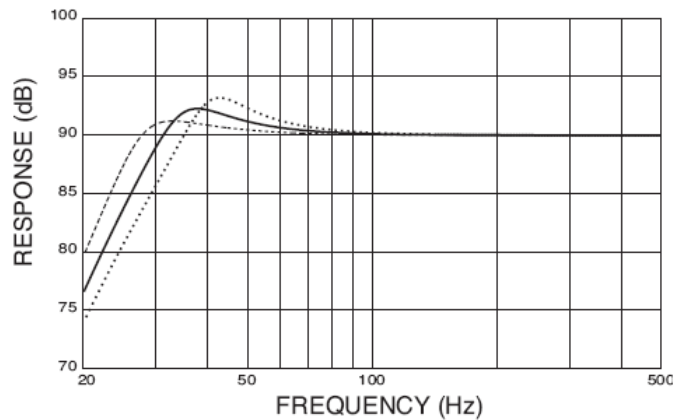
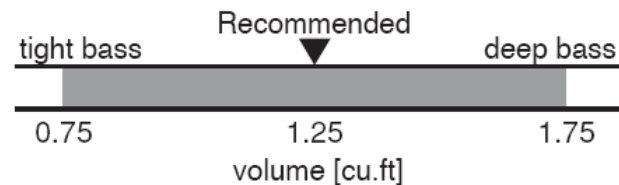
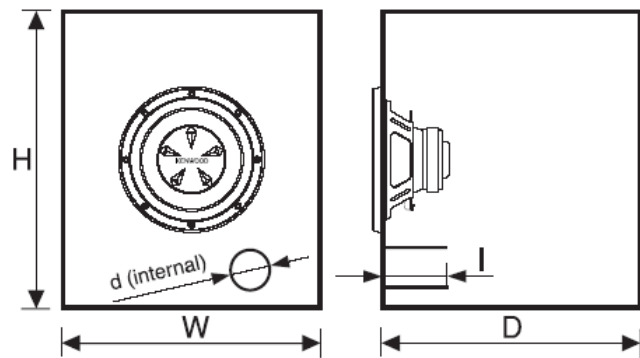
# KFC-W110S / W1010

## Recommended Enclosures

### SEALLED



### PORTED



### Recommended Enclosures

\*W, H, D.....External Dimensions

Model Name	Volume	W	H	D	Mounting Hole	Port Diameter d	Port Length l	Displacement
KFC-W110S	1 (28.3)	330 (13)	390 (15-3/8)	325 (12-13/16)	233 (9-3/16)	Sealed	Sealed	0.081
KFC-W1010	1.25 (35.4)	340 (13-3/8)	455 (17-15/16)	330 (13)		76 (3)	178 (7)	
(unit)	cu.ft (liter)	mm (in.)						cu.ft

Use 21 mm (3/4 inch) thick Medium Density Fiberboard (MDF) or High Density Particleboard.